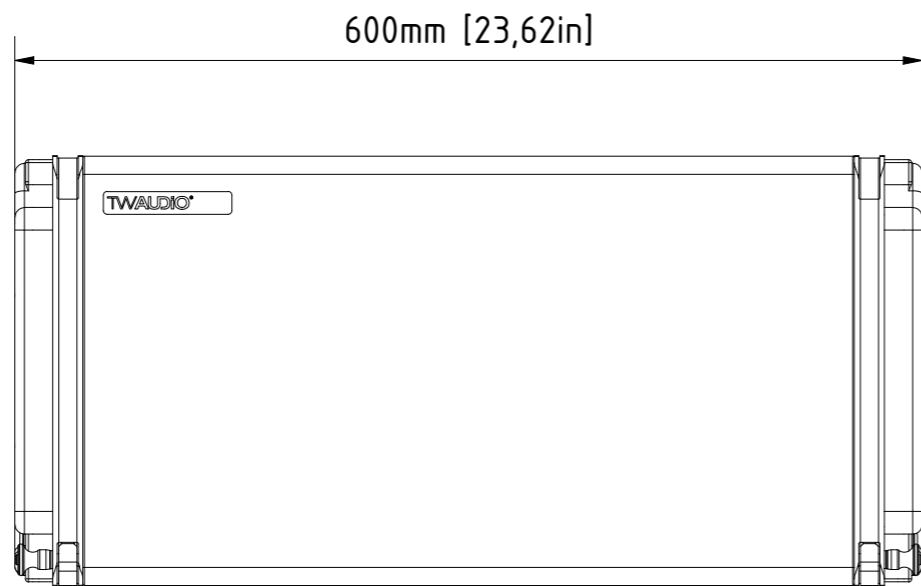
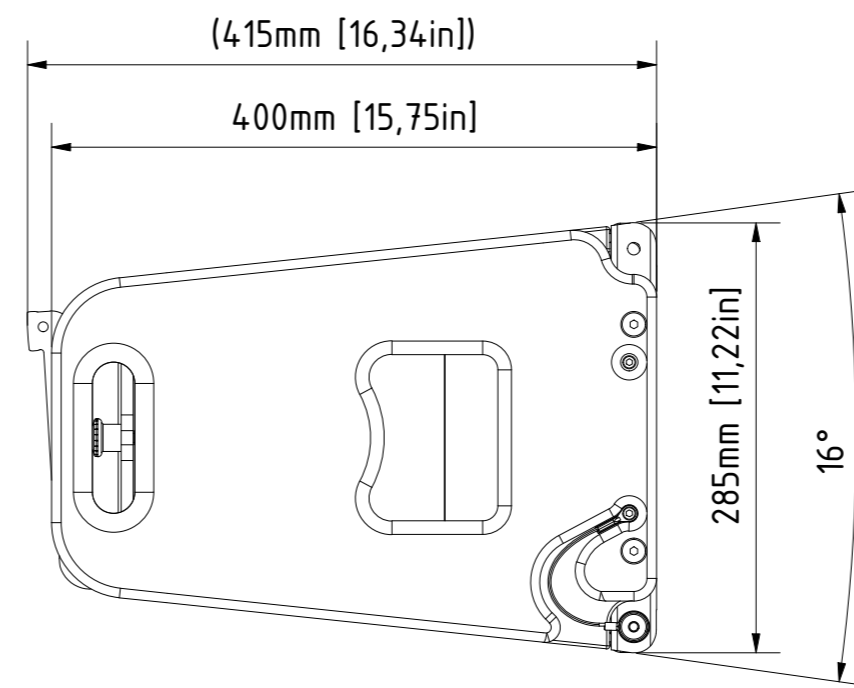


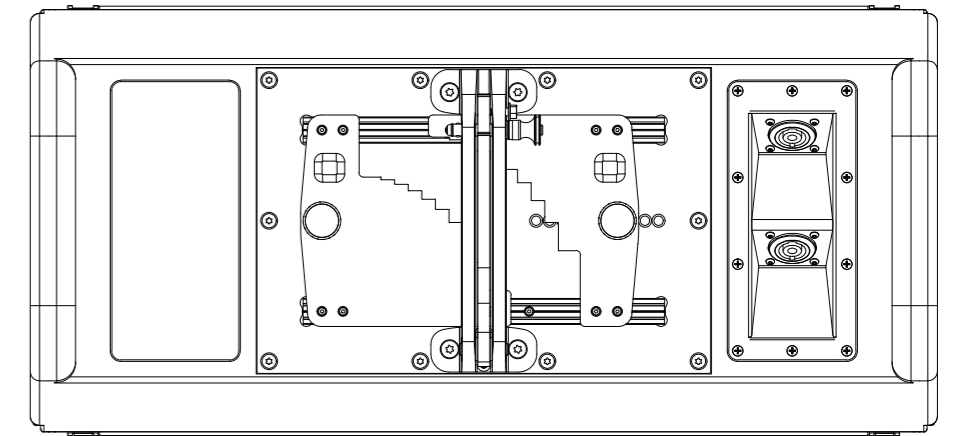
bottom view



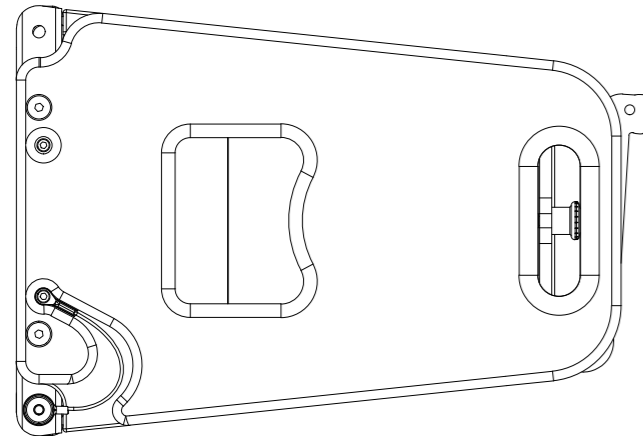
front view



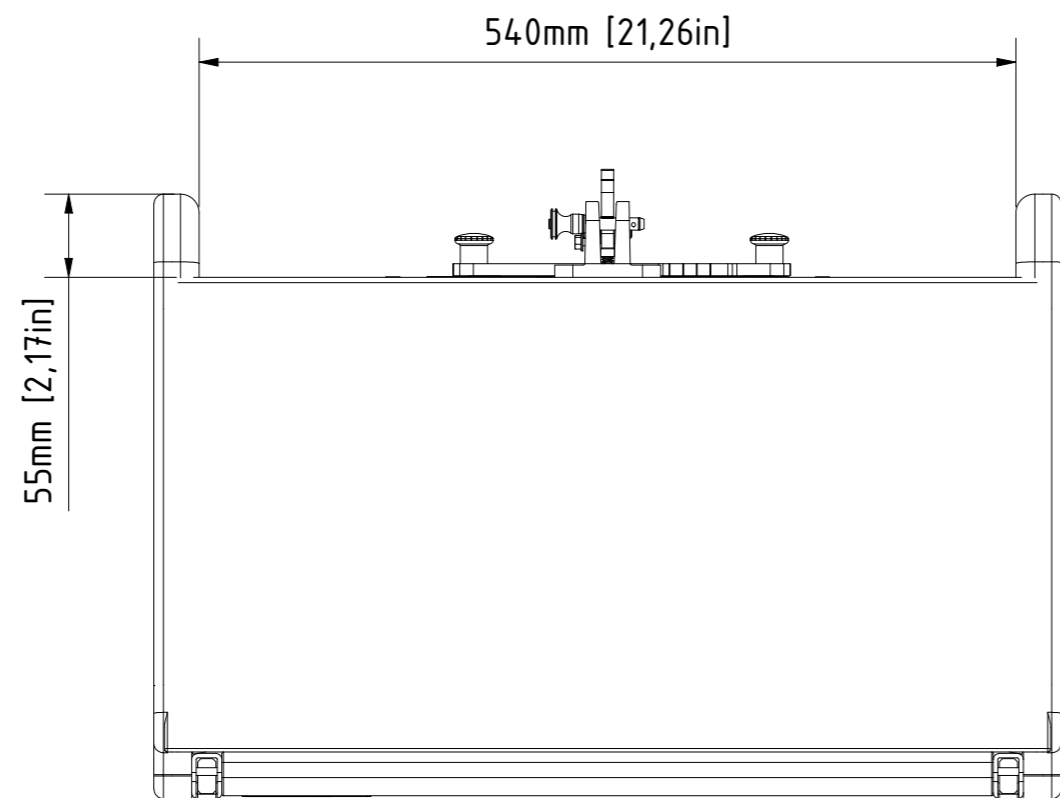
left view



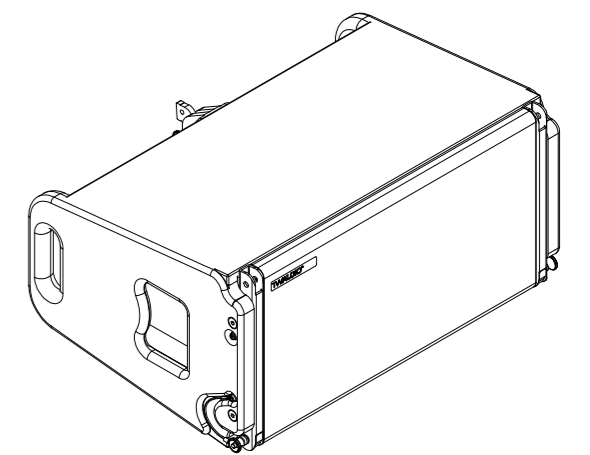
rear view



right view



top view



0		06.05.2019	Heike Konrad
rev. no.		date	modified by
revision process			
<b>TWAUDIO</b> Osterholzallee 140-2 71636 Ludwigsburg www.twaudio.de	scale:	1:5 (1:10)	
	weight:	24 kg [53 lbs]	
	document type:	overview drawing	
	status type:	released	
All rights to this drawing reserved in accordance with ISO 16016. Copying and distribution by manufacturer's permission only.	date	name	
	constructed:	11.02.2016	Stefan Ullrich
	drawn:	28.08.2017	Stefan Ullrich
	checked:		
approved:	06.05.2019	Heike Konrad	
general tolerance	edges according to ISO 13715	drawing number:	
ISO 2768-mK	surfaces (Ra)	TWA-VERA20-0001	
ISO 13920-BF	array 2	revision no.:	0
ISO 9013-IIA/K	array 3	sheet:	1
according to ISO 8015	DIN ISO 1302	AZ	1
C:\CAD\TWAUDIO\CAD-Daten\Produkt\1x\Ver20\VERA20-kpliam			