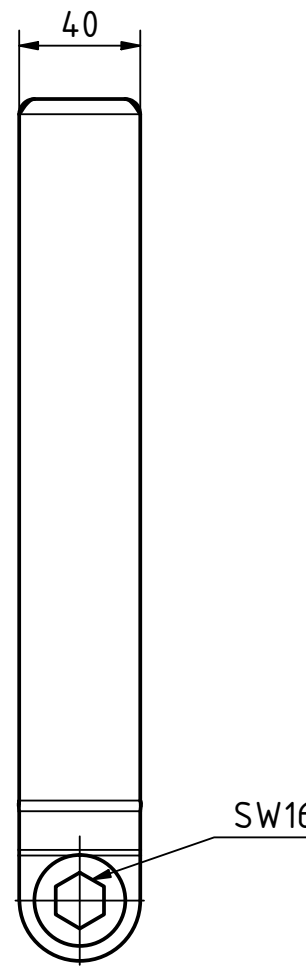
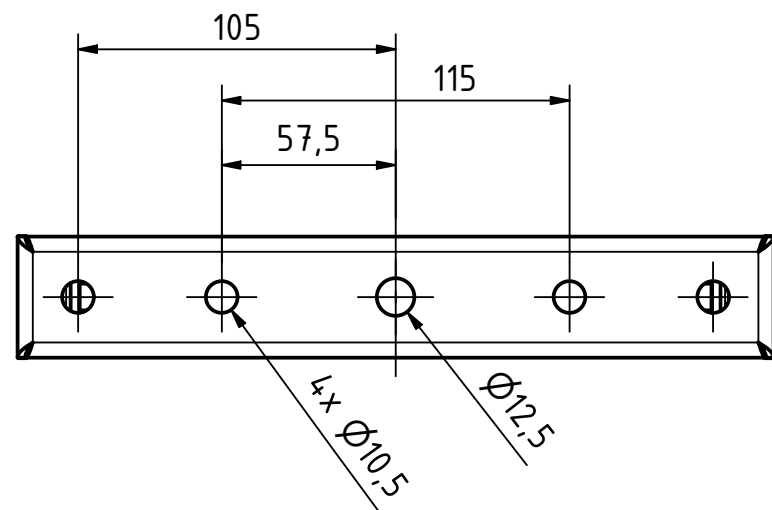


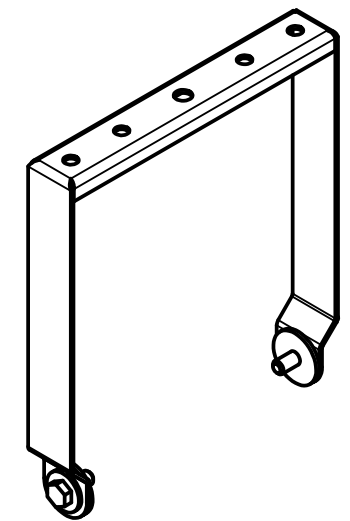
front view



side view



top view



0		25.09.2019	Heike Konrad
rev. no.	description	date	modified by
revision process			
TWAUDIO® Osterholzallee 140-2 71636 Ludwigsburg www.twaudio.de	scale: 1:2,5 (1:5)		
	weight: 0,8 kg		
All rights to this drawing reserved in accordance with ISO 16016. Copying and distribution by manufacturer's permission only.	document type: overview drawing	order number: SBM8i	
	status type: released	type: Installation swivel bracket	
general tolerance ISO 2768-mK ISO 13920-BF ISO 9013-IIA/K according to ISO 8015	edges according to ISO 13715	constructed: 26.09.2018	Stefan Ullrich
	surfaces (Ra) array 2 array 3 DIN ISO 1302	drawn: 25.09.2019	Heike Konrad
	checked:	approved: 25.09.2019	Heike Konrad
		drawing number: TWA-SBM8i-0001	revision no.: 0
		sheet: 1 1 A3	