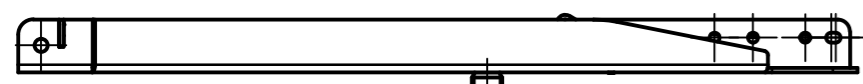
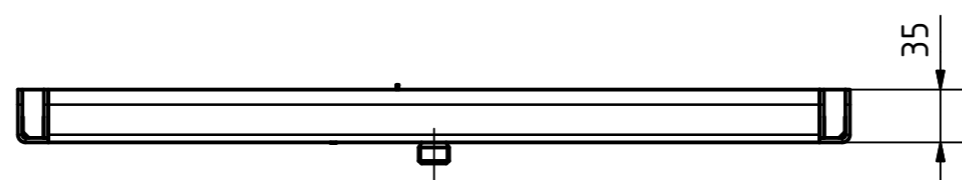


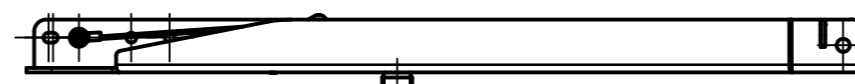
bottom view



right view



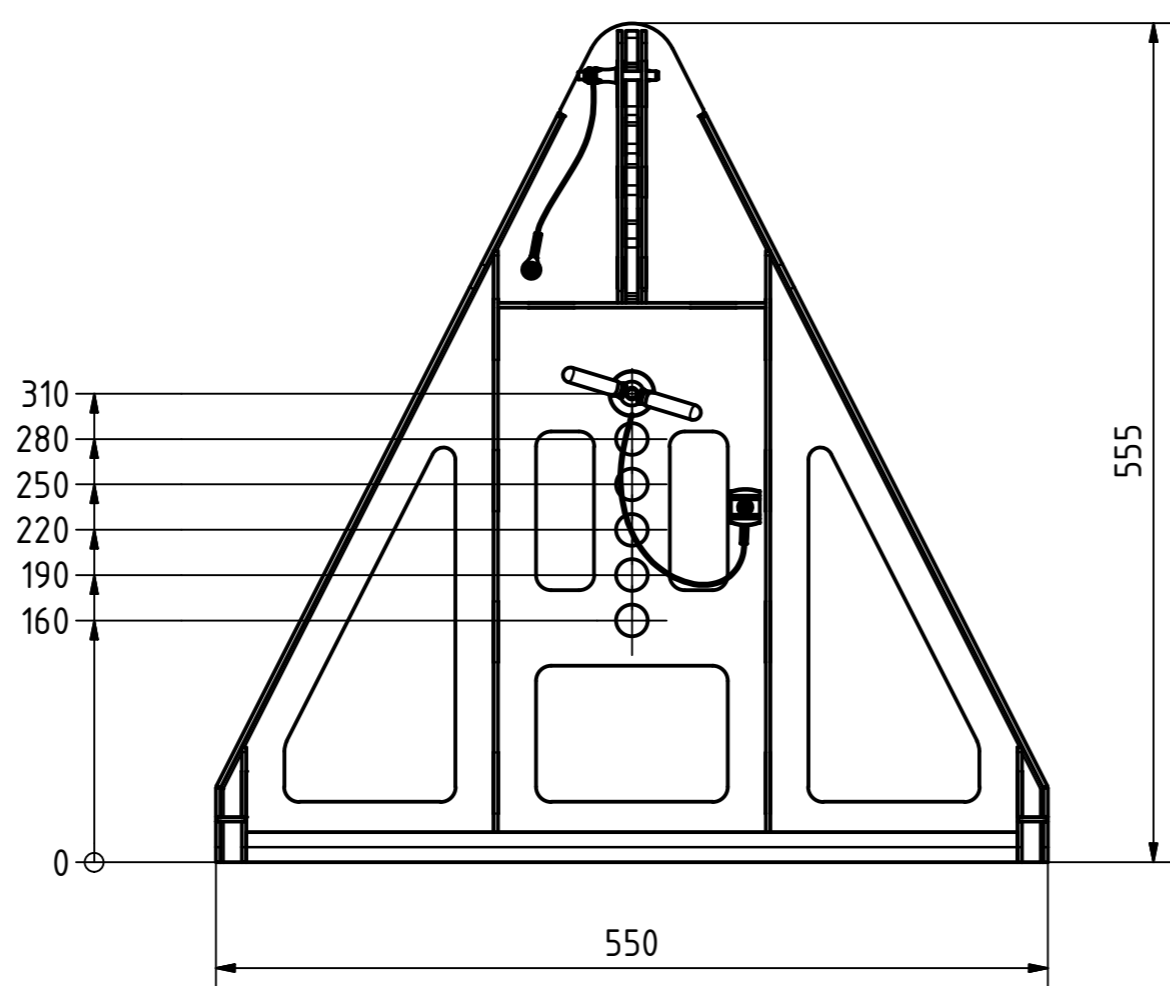
front view



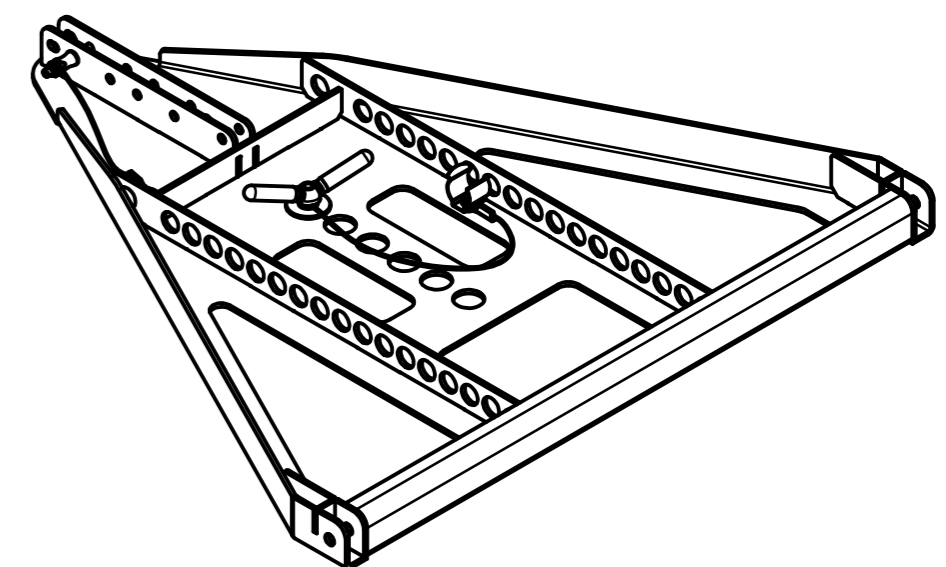
left view



rear view



top view



0		23.11.2018	Heike Konrad
rev. no.		date	modified by
revision process			
TWAUDIO Osterholzallee 140-2 71636 Ludwigsburg www.twaudio.de	scale:		
	weight:	5,3 kg	
	document type:	overview drawing	
All rights to this drawing reserved in accordance with ISO 16016. Copying and distribution by manufacturer's permission only.	status type:	released	
	order number:	4386	
general tolerance ISO 2768-mK ISO 13920-BF ISO 9013-IIA/K according to ISO 8015	type:	GSP20 kpl.	
	constructed:	date	name
edges according to ISO 13715 surfaces (Ra) array 2 array 3 according to ISO 1302	drawn:	23.11.2018	Heike Konrad
	checked:	23.11.2018	Heike Konrad
drawing number:		TWA-GSP20-0001	
revision no.:		0	1 1
sheet:		Az	