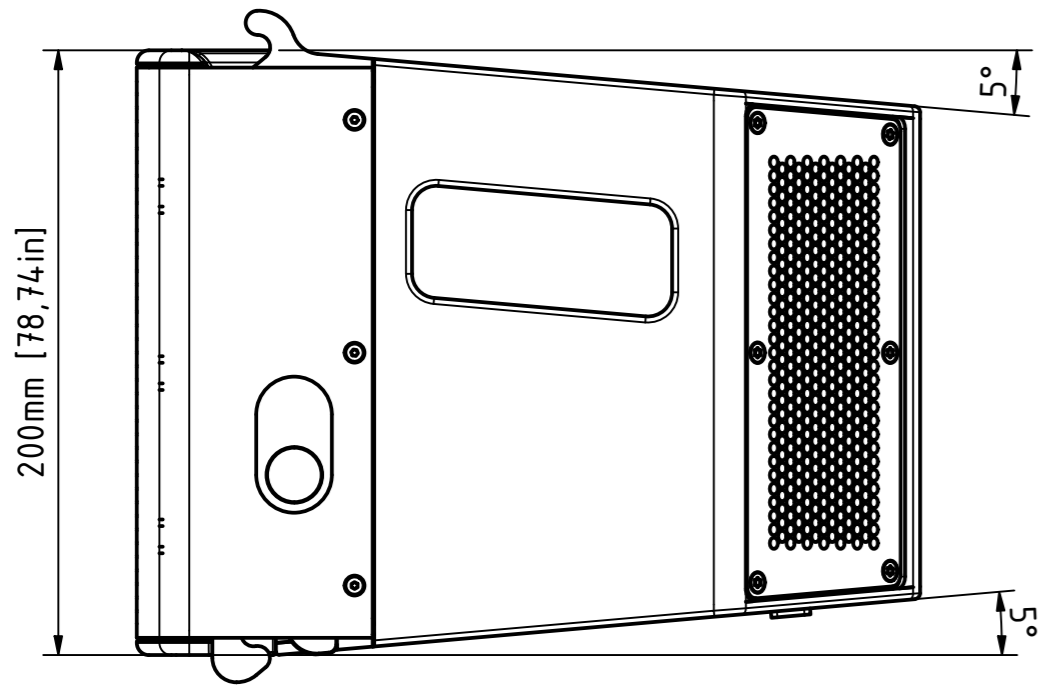
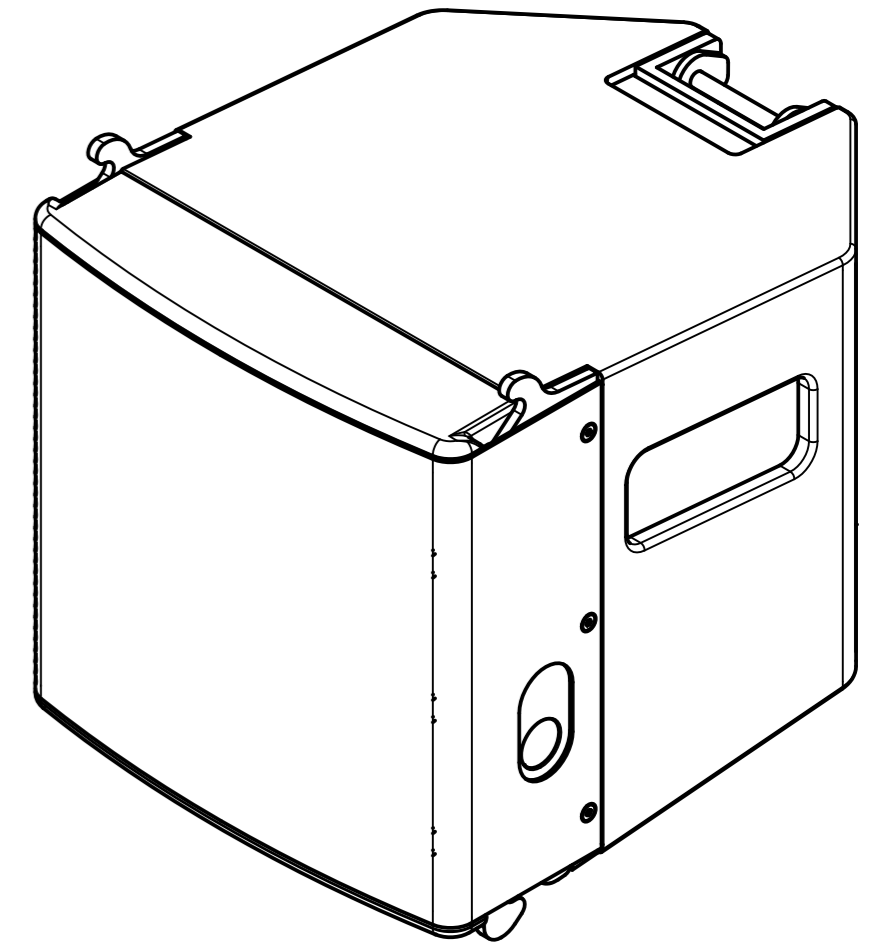
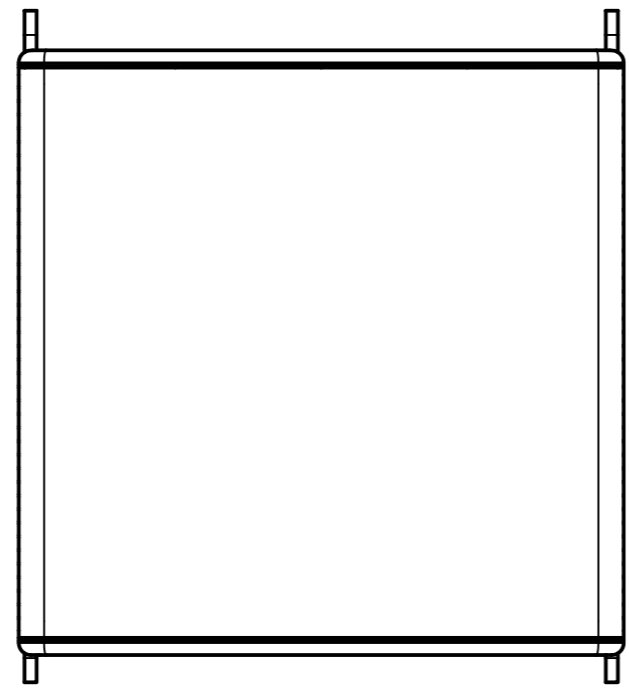


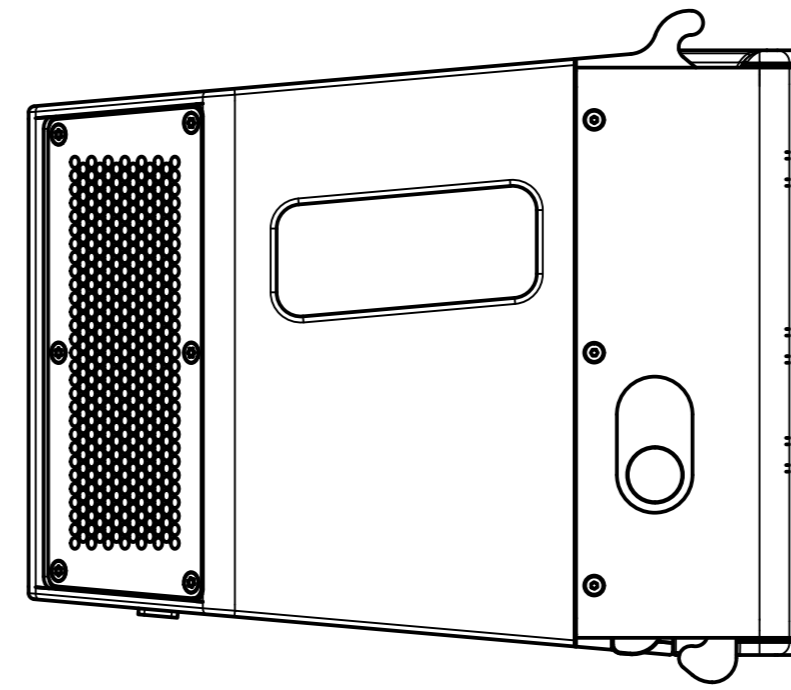
bottom view



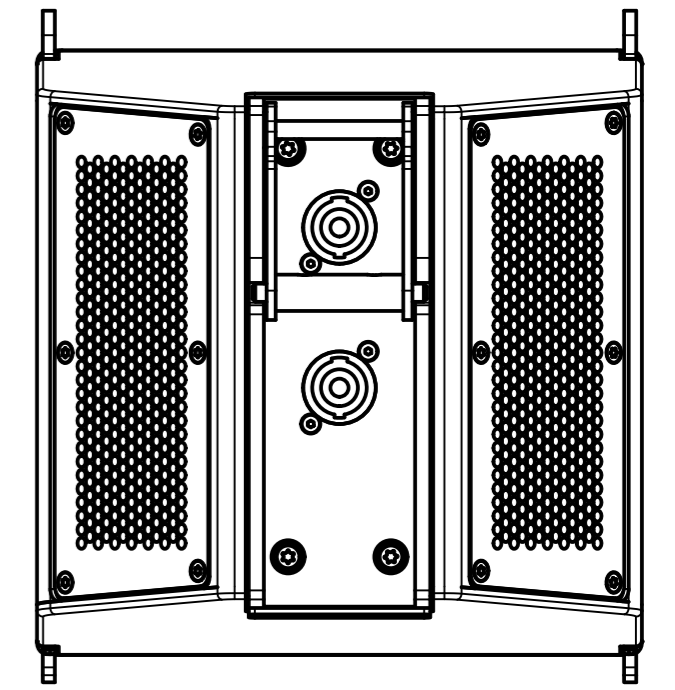
right view



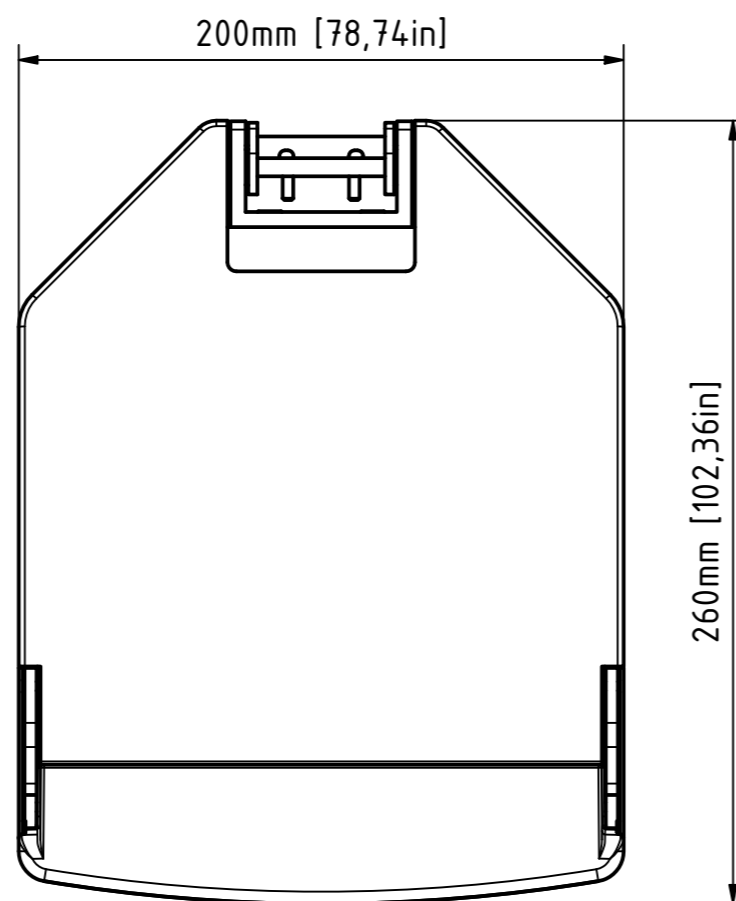
front view



left view



rear view



top view

0		21.11.2019	Heike Konrad
rev. no.	description	date	modified by
revision process			
TWAUDIO Osterholzallee 140-2 71636 Ludwigsburg www.twaudio.de		scale: 1:2,5	
All rights to this drawing reserved in accordance with ISO 16016. Copying and distribution by manufacturer's permission only.		weight: 5,5 kg [12,13 lbs]	
general tolerance ISO 2768-mK ISO 13920-BF ISO 9013-IIA/K according to ISO 8015		document type: overview drawing	order number:
edges according to ISO 13715 surfaces (Ra) array 2 array 3 DIN ISO 1302		status type: released	type: ELLA6
		drawn: 21.11.2019 Heike Konrad	
		checked: 21.11.2019 Heike Konrad	drawing number: TWA-ELLA6-0001
		approved: 21.11.2019 Heike Konrad	revision no: 0
		C:\CAD\TW_AUDIO\CAD-Daten\Entwicklung\ELLA6\ELLA_3pl.dwg	sheet: 1 1 Az