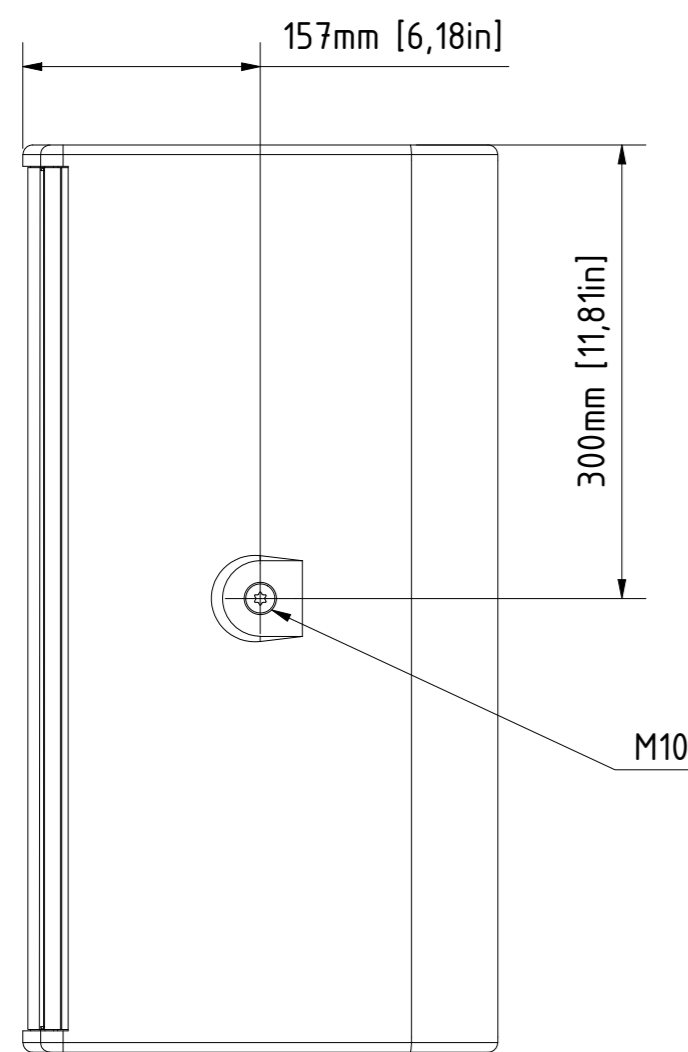
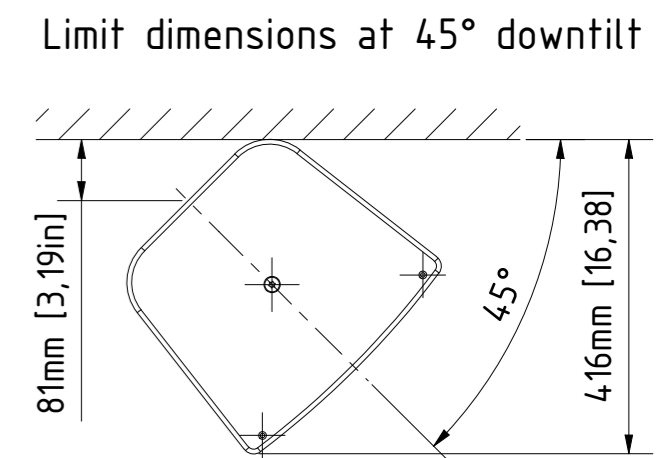
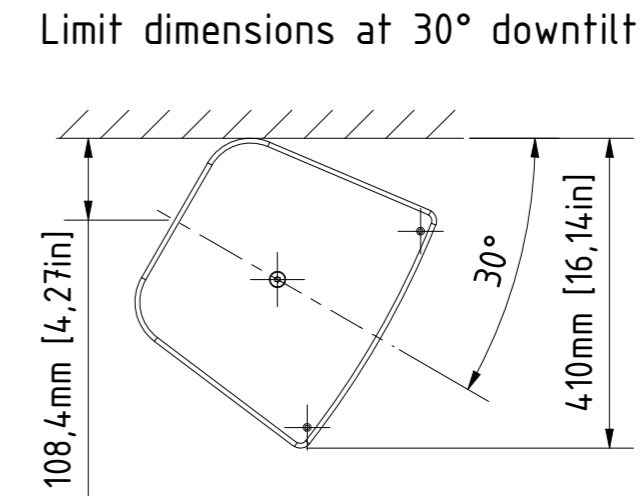
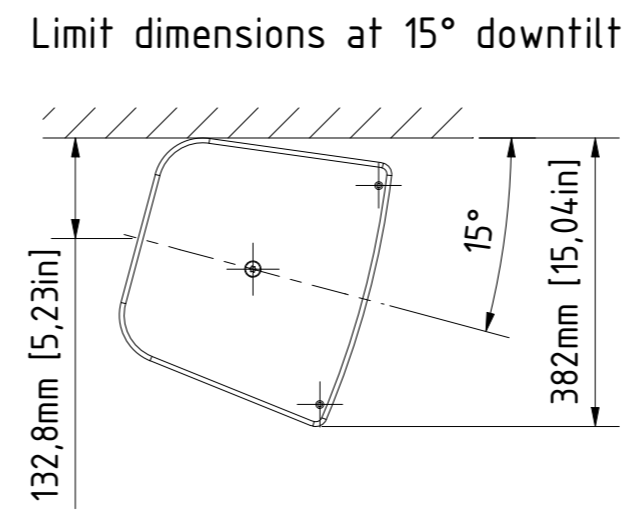
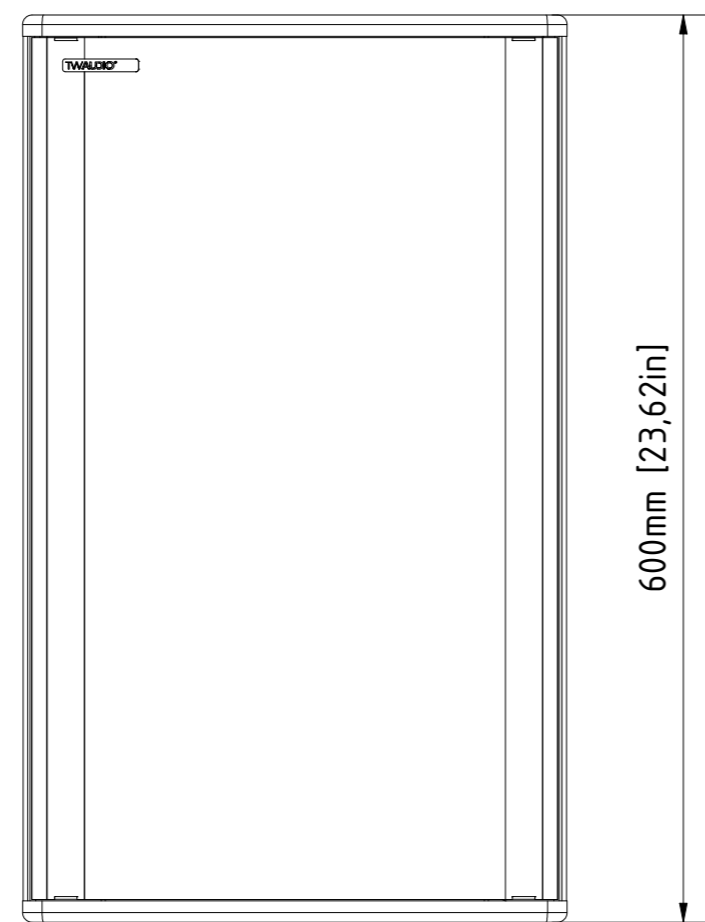


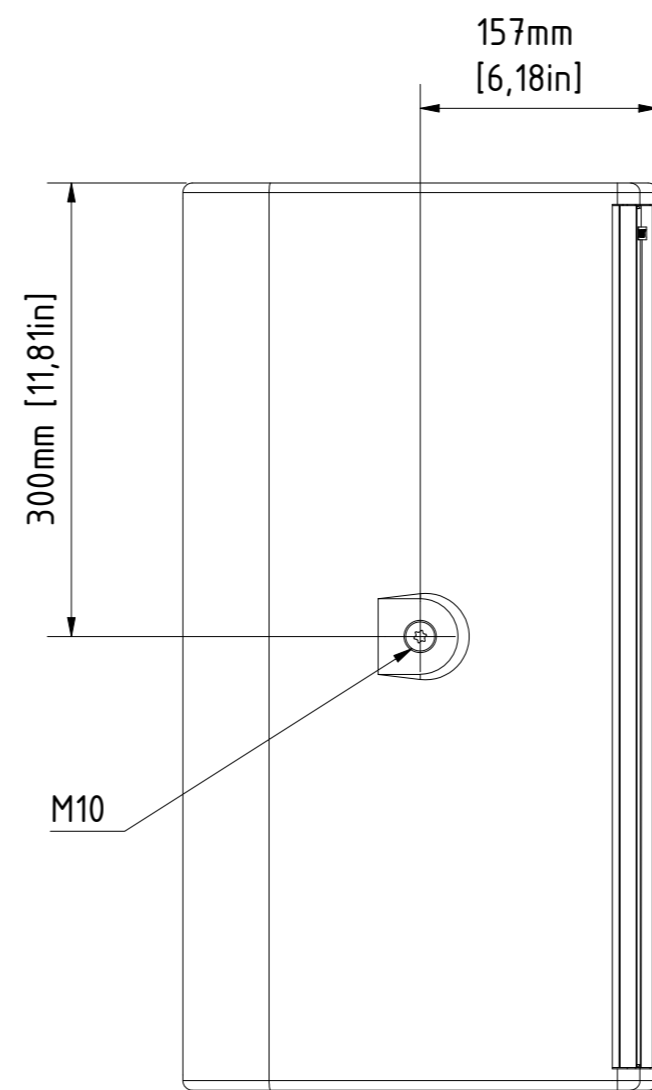
bottom view



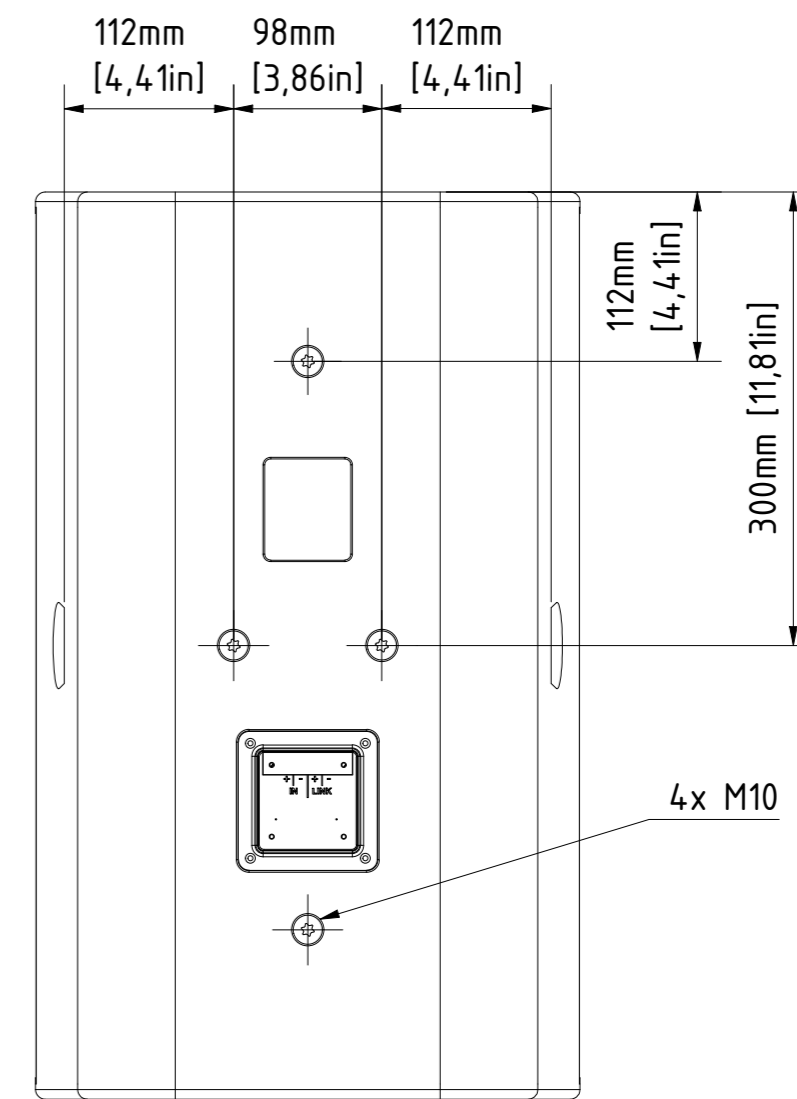
right view



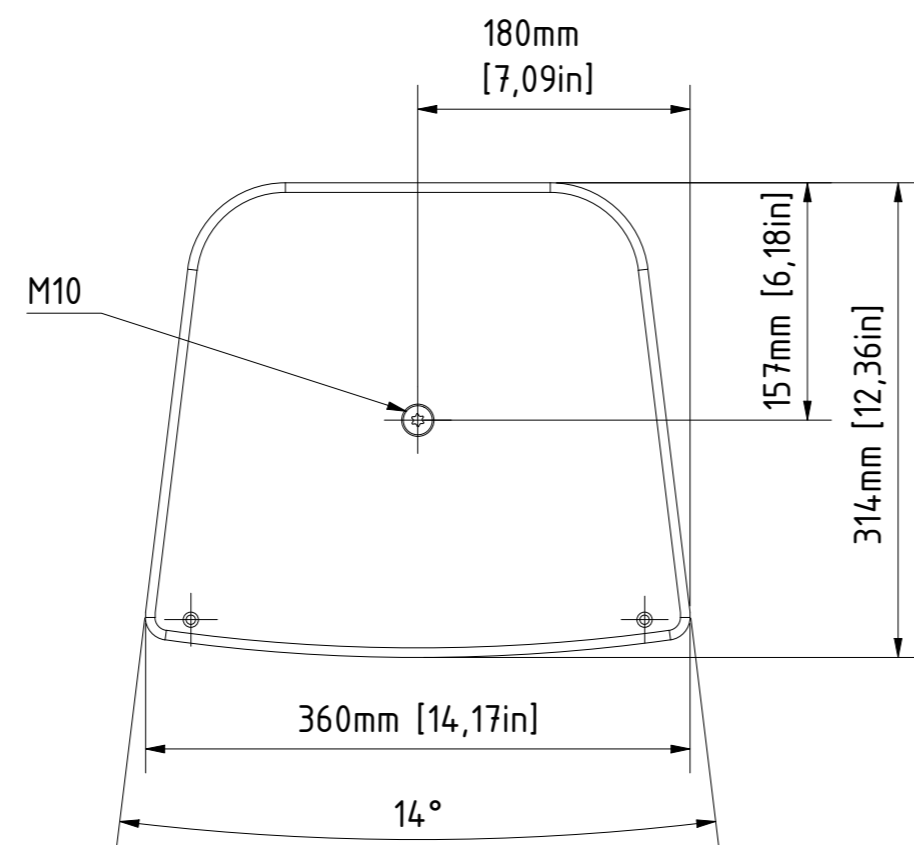
front view



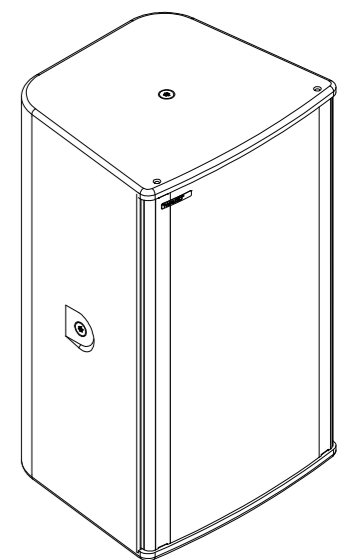
left view



rear view



top view



0		06.05.2019	Heike Konrad
Rev.	Beschreibung	Datum	Geändert von
REVISIONSVERLAUF			
<b>TWAUDIO</b> Osterholzallee 140-2 71636 Ludwigsburg www.twaudio.de		scale: weight: 19,2 kg [43 lbs]	order number: 5237
All rights to this drawing reserved in accordance with ISO 16016. Copying and distribution by manufacturer's permission only.		document type: overview drawing	type: M12i
general tolerance: ISO 2768-mK ISO 13920-BF ISO 9013-IIA/K according to ISO 8015		status type: released	name: Multifunctional speaker
edges according to ISO 13715 surfaces (Ra): array 2 array 3 according to DIN ISO 1302		date: 09.10.2018 name: Heike Konrad	drawing number: TWA-M12i-0001
checked: 06.05.2019 approved: Heike Konrad		date: 17.01.2018 name: Stefan Ullrich	revision no.: 0 sheet: 1 of: 1
C:\CAD_TW_AUDIO\CAD-Daten\Entwicklung\M12i\M12i_kpl.dwg			