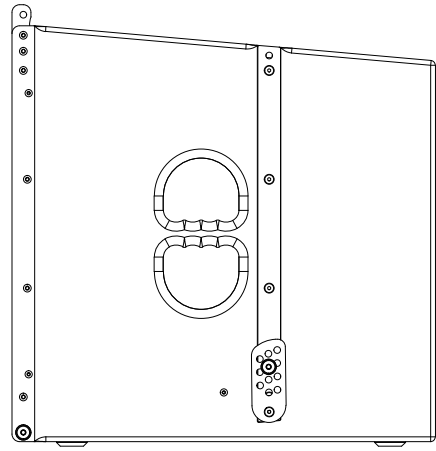
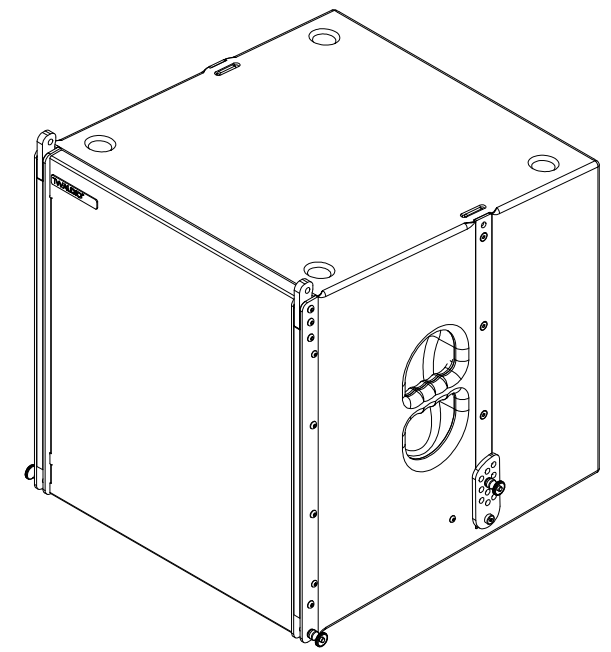
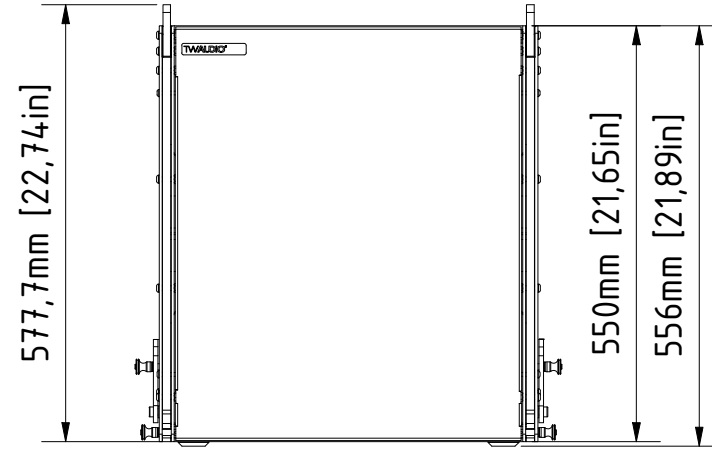


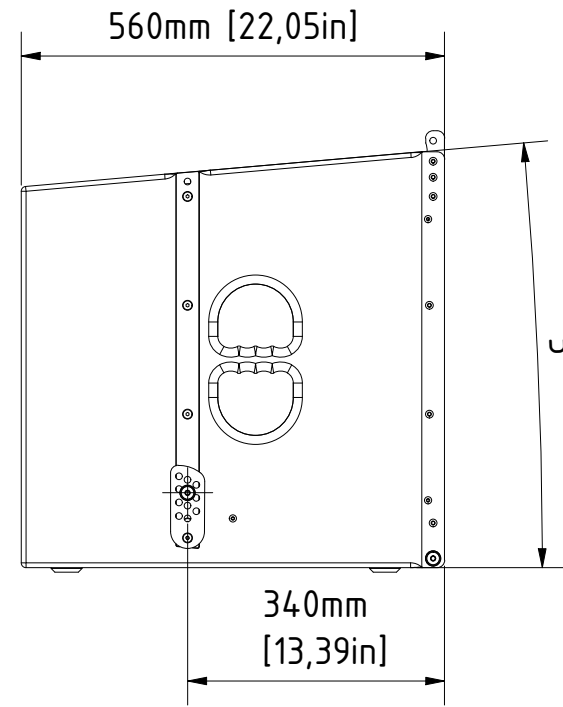
bottom view



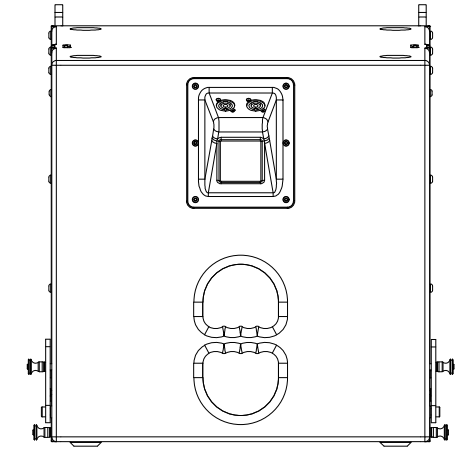
right view



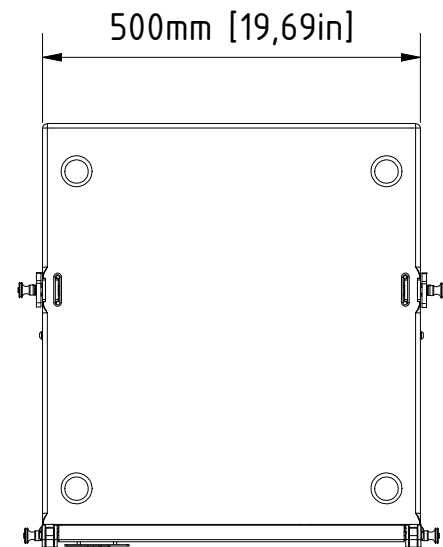
front view



left view



rear view



top view

0		07.05.2019	Heike Konrad
Rev.	Beschreibung	Datum	Geändert von
REVISIONSVERLAUF			
TWAUDIO® Osterholzallee 140-2 71636 Ludwigsburg www.twaudio.de		scale:	
		weight:	33,6 kg [75 lbs]
All rights to this drawing reserved in accordance with ISO 16016. Copying and distribution by manufacturer's permission only.		document type:	overview drawing
		status type:	released
general tolerance ISO 2768-mK ISO 13920-BF ISO 9013-IIA/K according to ISO 8015		edges according to ISO 13715	
		surfaces (Ra)	array 2 array 3 DIN ISO 1302
constructed:	25.09.2009	Stefan Ullrich	L24
drawn:	16.04.2010	Stefan Ullrich	
checked:			drawing number: TWA-L24-0001
approved:	07.05.2019	Heike Konrad	
C:\CAD TW AUDIO\CAD-Daten\Produkte\Verl.24\L24_kpl.iam		revision no.:	0
		sheet:	1 1 A3